



FOR OFFICIAL USE

10	6						

National Qualifications Examination Practice

Mark

16

SQ21/N5/01

Graphic Communication
CAD & Engineering Graphics 4

Date | Not applicable

Duration | Not applicable

Full name of centre

Town

Forename(s)

Surname

Number of seat

Date of birth

Day

Month

Year

D	D
---	---

M	M
---	---

Y	Y
---	---

Scottish Candidate Number

--	--	--	--	--	--	--	--	--	--

Total marks — 16

Attempt ALL questions.

All dimensions are in mm.

All technical sketches and drawings use third angle projection.

You may use rulers, compasses or trammels for measuring.

Use blue or black ink.

All questions original

All graphics & Images ©SDH18

1 Designers and engineers frequently use CAD models to directly manufacture designs.

a. State the full name of this process.

1

b. Describe three items of information that would be required for the CAD model to be used to directly manufacture.

i. _____

1

ii. _____

1

iii. _____

1

c. Describe the three features that should not be cross-hatched when creating a sectional view. You **must** use sketches to support your answer.

i. _____

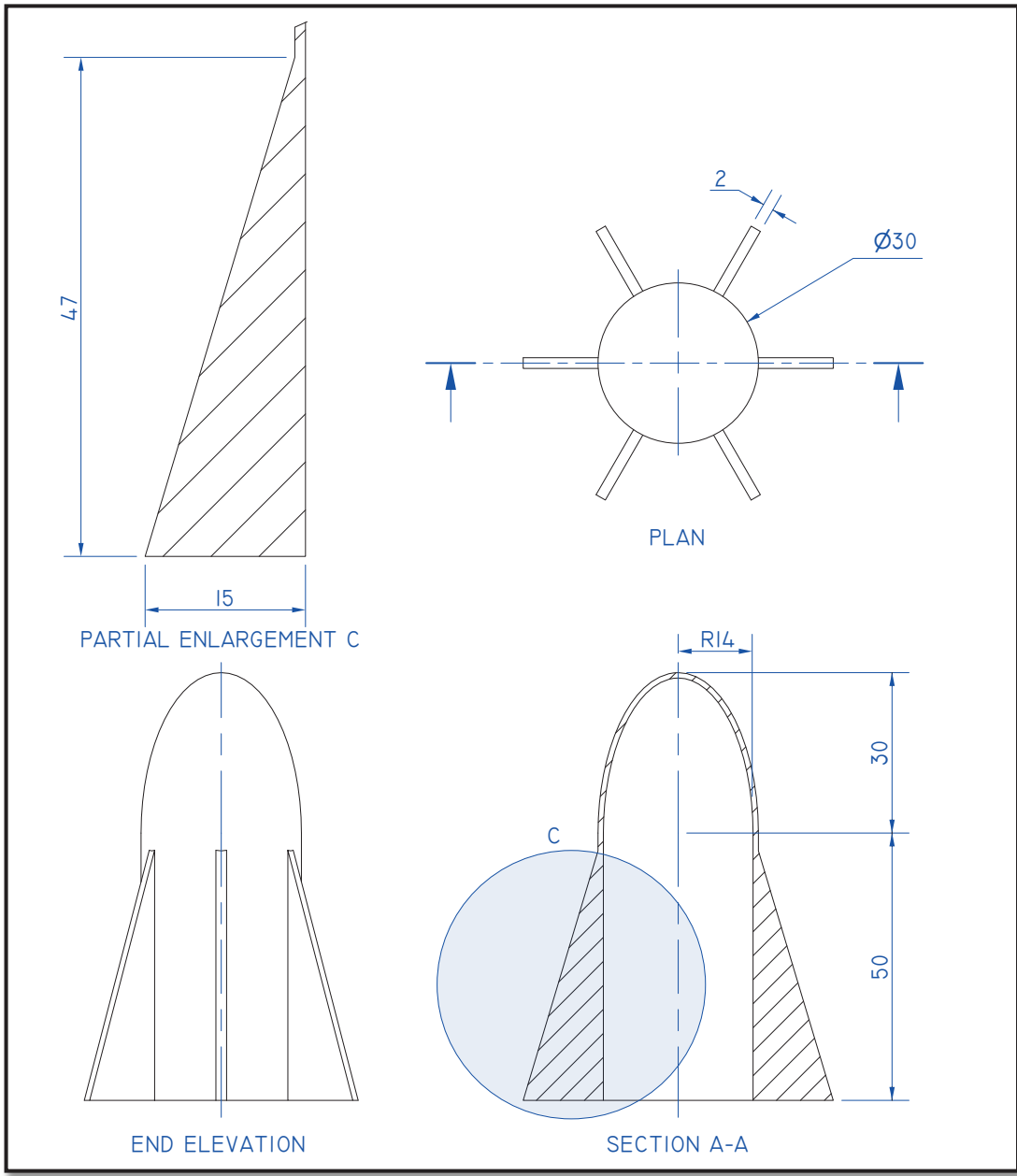
2

ii. _____

2

iii. _____

2



MARKS DO NOT WRITE IN THIS MARGIN

2

A technical drawing for a toy rocket is shown above.

Describe, using the **correct dimensions and 3D CAD modelling terms**, how you would use 3D CAD software to model the toy rocket. You should use sketches to support your answer.

6

2 (continued)

MARKS DO NOT
WRITE IN
THIS
MARGIN