



FOR OFFICIAL USE

5	10	0					

National Qualifications Examination Practice

Mark

15

SQ21/N5/01

Graphic Communication
CAD & Engineering Graphics 2

Date | Not applicable

Duration | Not applicable

Full name of centre

Town

Forename(s)

Surname

Number of seat

Date of birth

Day

Month

Year

D	D
---	---

M	M
---	---

Y	Y
---	---

Scottish Candidate Number

--	--	--	--	--	--	--	--	--	--

Total marks — 15

Attempt ALL questions.

All dimensions are in mm.

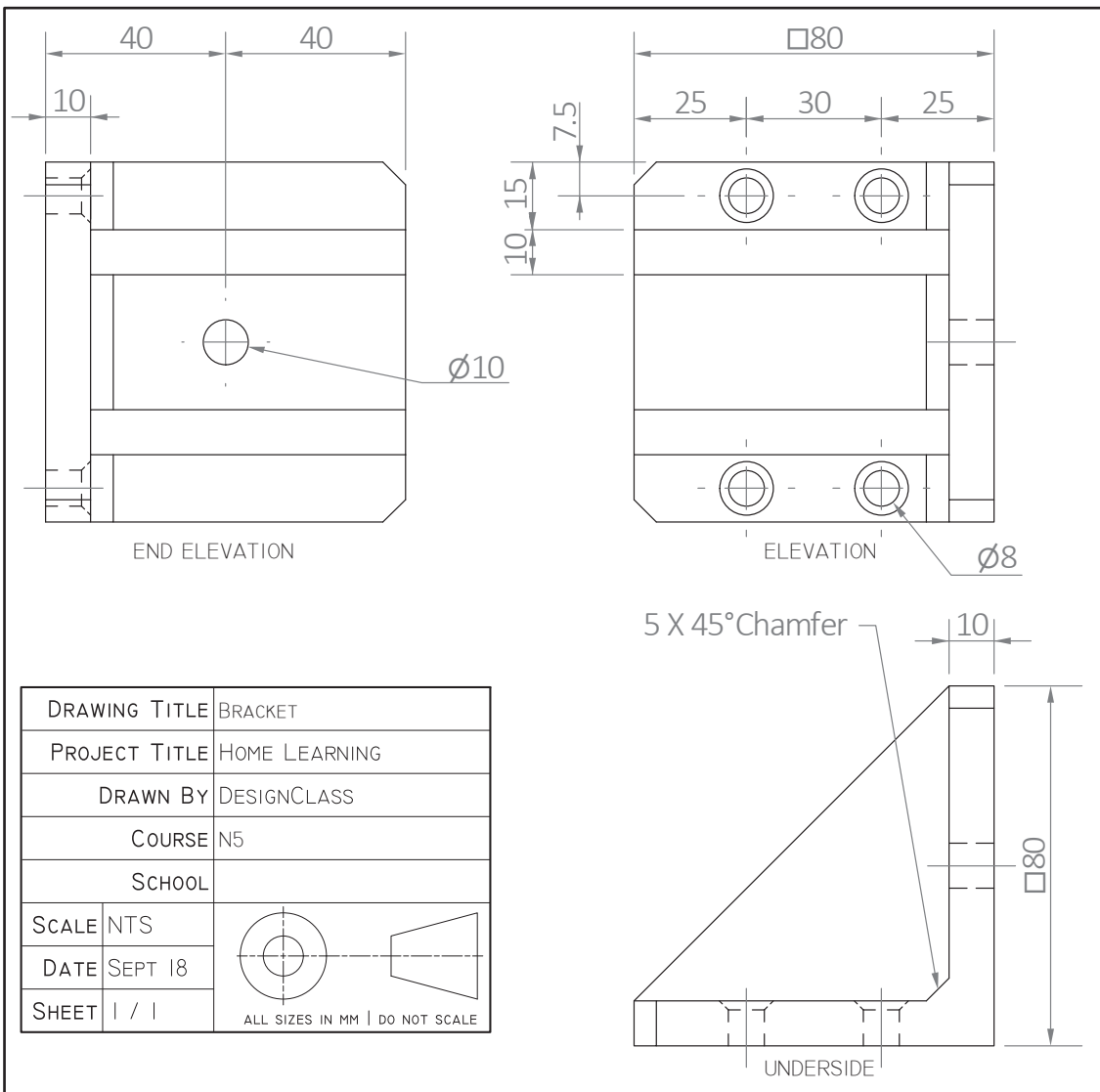
All technical sketches and drawings use third angle projection.

You may use rulers, compasses or trammels for measuring.

Use blue or black ink.

All questions original

All graphics & Images ©SDH18



MARKS DO NOT WRITE IN THIS MARGIN

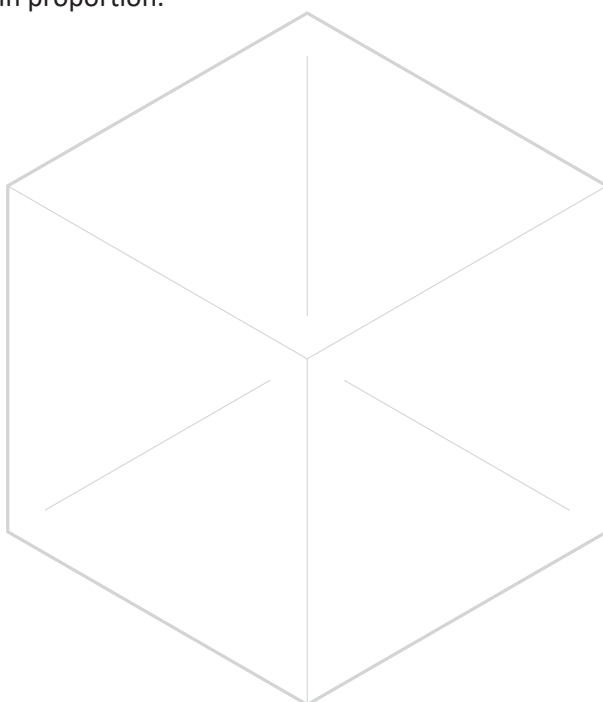
1

A technical drawing of a supporting bracket has been shown above.

Sketch a pictorial view of the supporting bracket that shows the most detail.

A supporting crate has been provided for you. The sketch does not have to be the correct size, but must be in proportion.

5



2

A technical drawing for a metal bracket is shown on page 2.

Describe, using the **correct dimensions and 3D CAD modelling terms**, how you would use 3D CAD software to model the bracket on page 2. You should use sketches to support your answer.

10

MARKS
DO NOT
WRITE IN
THIS
MARGIN

2. (continued)