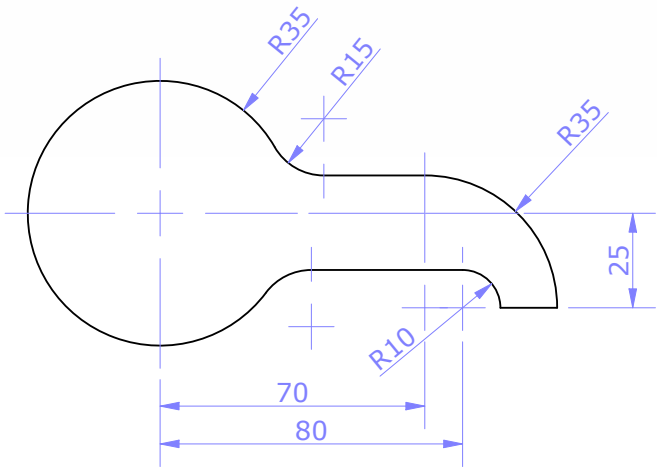
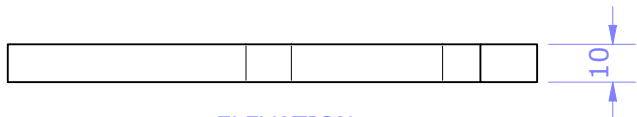


DRAWING TITLE:	TASK_3_TANGENCY
COURSE :	HIGHER GRAPHIC COMMUNICATION
PUPIL NAME :	
SCALE:	NOT TO SCALE
NOTES:	<ol style="list-style-type: none"> 1. DRAW THIS OBJECT USING MANUAL TECHNIQUES. 2. CREATE A 3D CAD MODEL. 3. CREATE A DRAWING FROM A CAD MODEL.



PLAN



ELEVATION