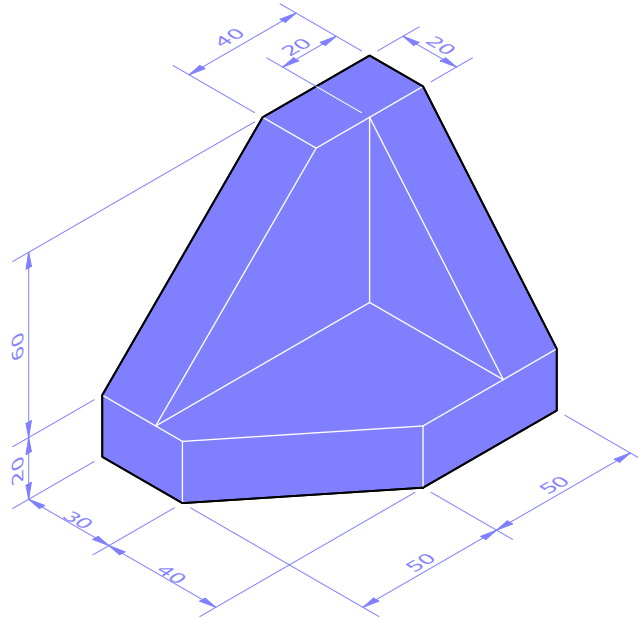
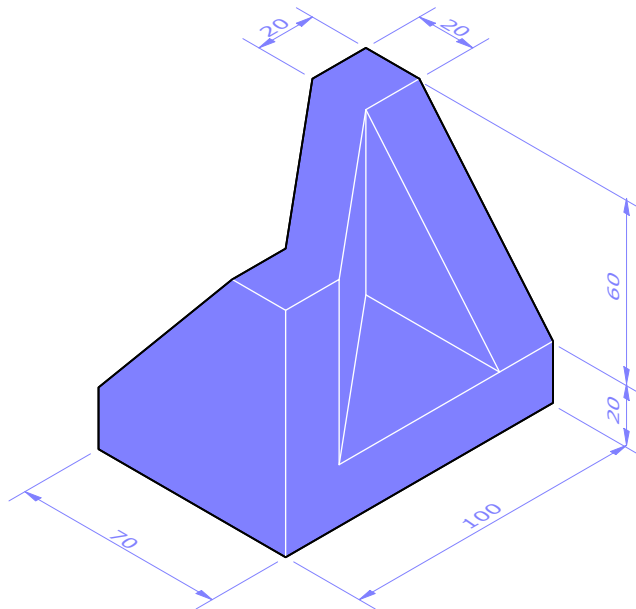


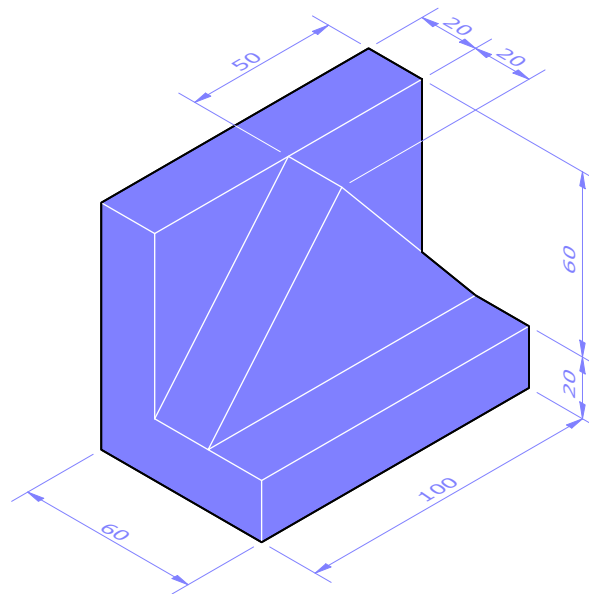
BLOCK 1 | ASYMMETRIC



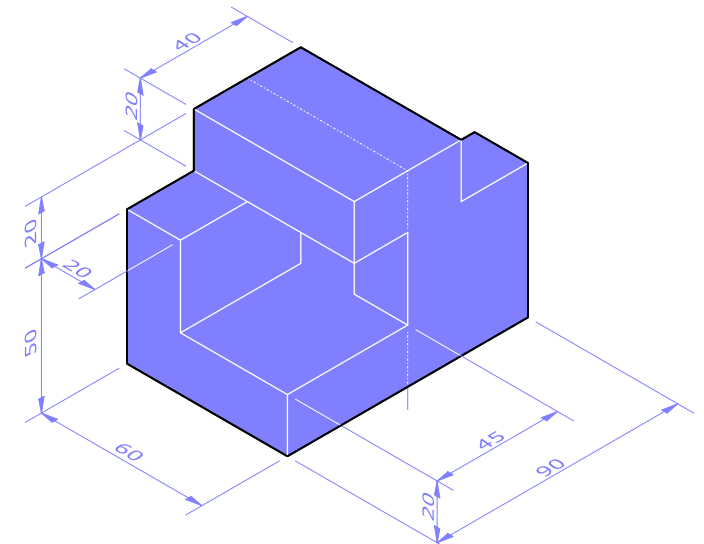
BLOCK 2 | ASYMMETRIC



BLOCK 3 | SYMMETRIC



BLOCK 4 | SYMMETRIC



BLOCK 5 | SYMMETRIC

DRAWING TITLE:	BASIC ORTHOGRAPHIC 1 TO 5
COURSE :	HIGHER GRAPHIC COMMUNICATION
PUPIL NAME :	
SCALE:	NTS
NOTES:	<ol style="list-style-type: none"> 1. CREATE ORTHOGRAPHIC SKETCHES OF EACH BLOCK 2. CREATE CAD MODELS OF EACH BLOCK 3. CREATE PERSPECTIVE SKETCHES OF EACH BLOCK 4. CREATE MANUAL AND COMPUTER RENDERS OF EACH BLOCK AS WOOD