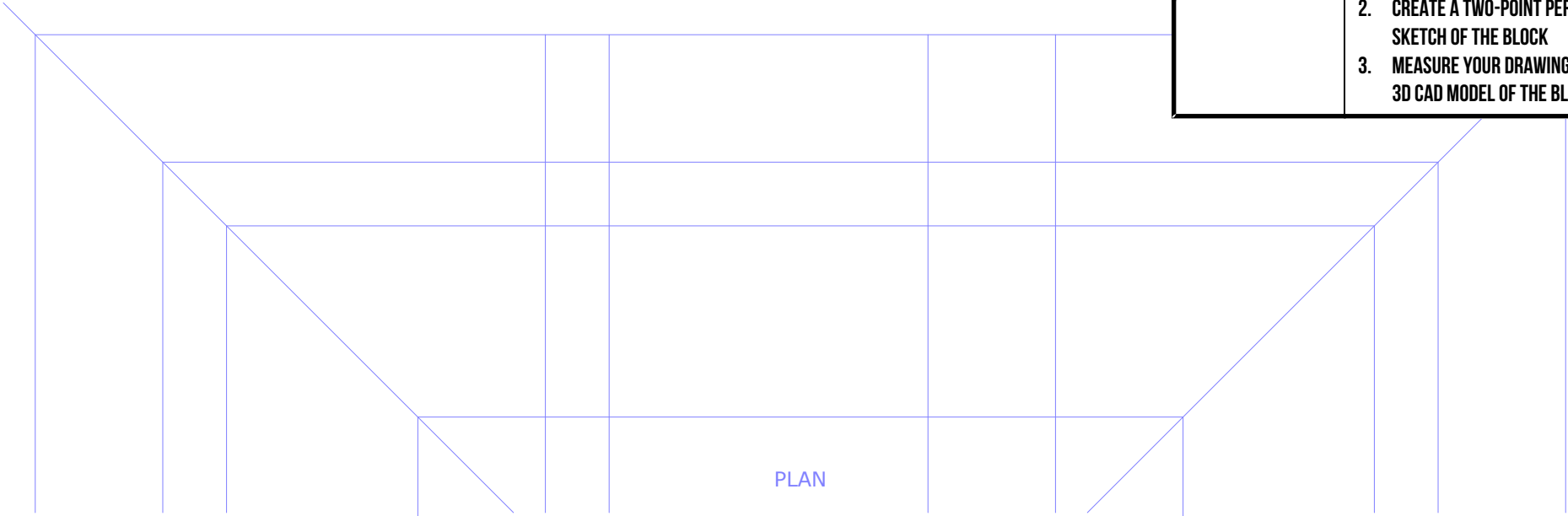
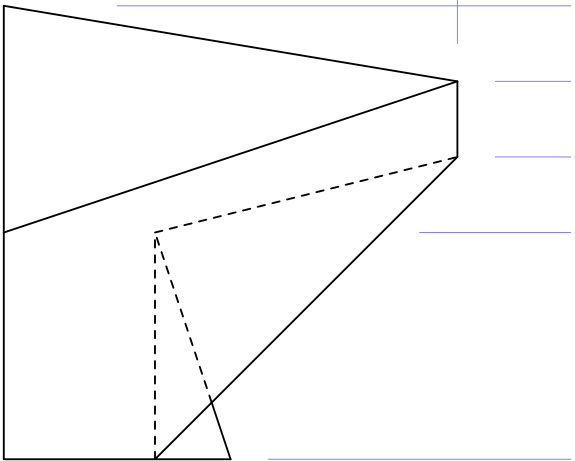




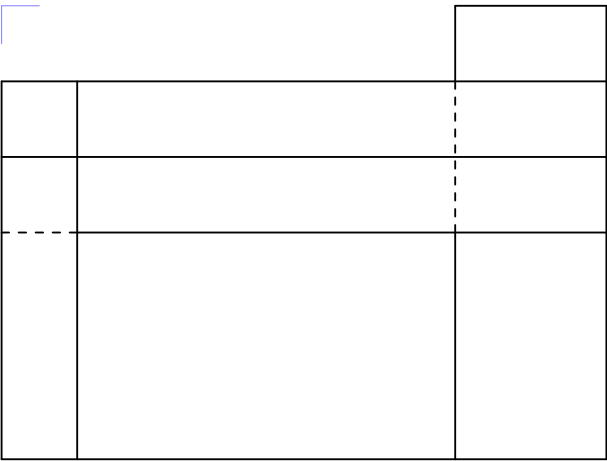
DRAWING TITLE:	BASIC ORTHOGRAPHIC TASK 10
COURSE :	HIGHER GRAPHIC COMMUNICATION
PUPIL NAME :	
SCALE:	NTS
NOTES:	<ol style="list-style-type: none">1. COMPLETE THE PLAN VIEW2. CREATE A TWO-POINT PERSPECTIVE SKETCH OF THE BLOCK3. MEASURE YOUR DRAWING AND CREATE A 3D CAD MODEL OF THE BLOCK



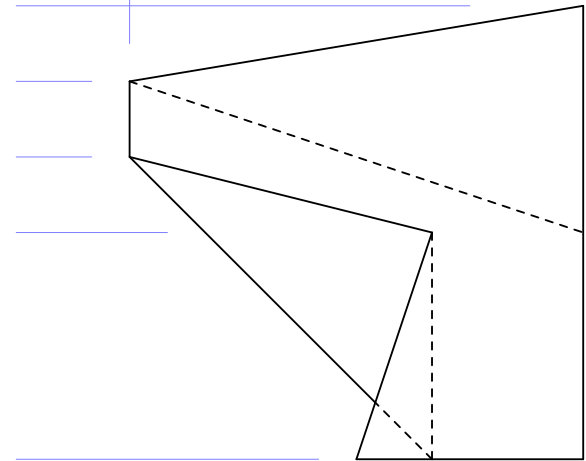
PLAN



END ELEVATION



ELEVATION



END ELEVATION