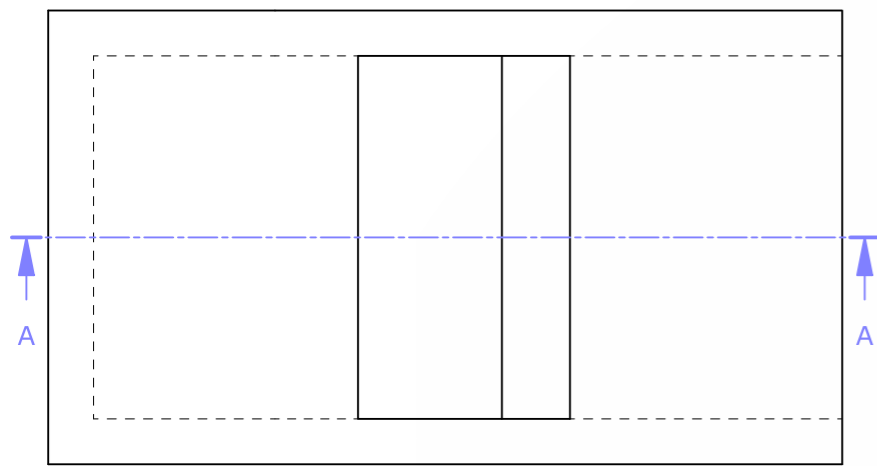
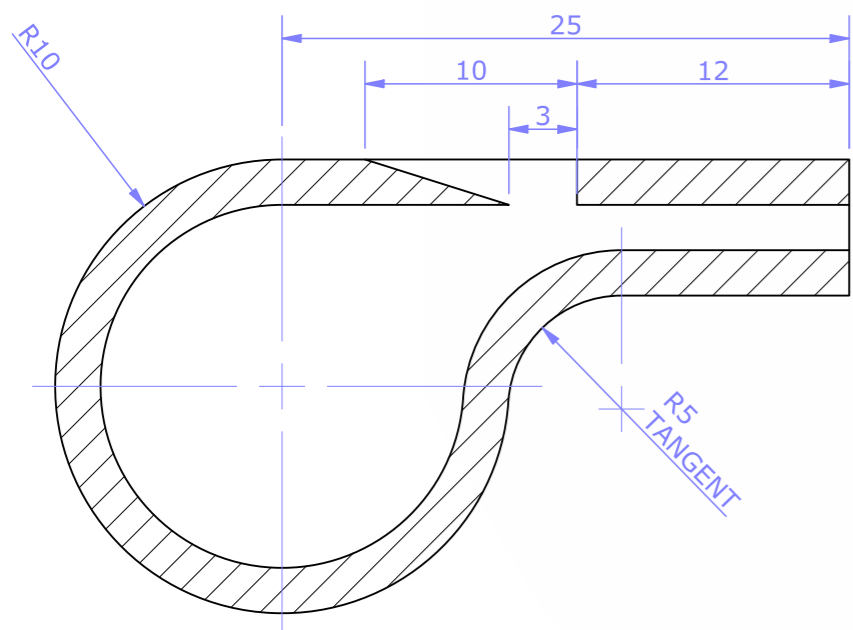
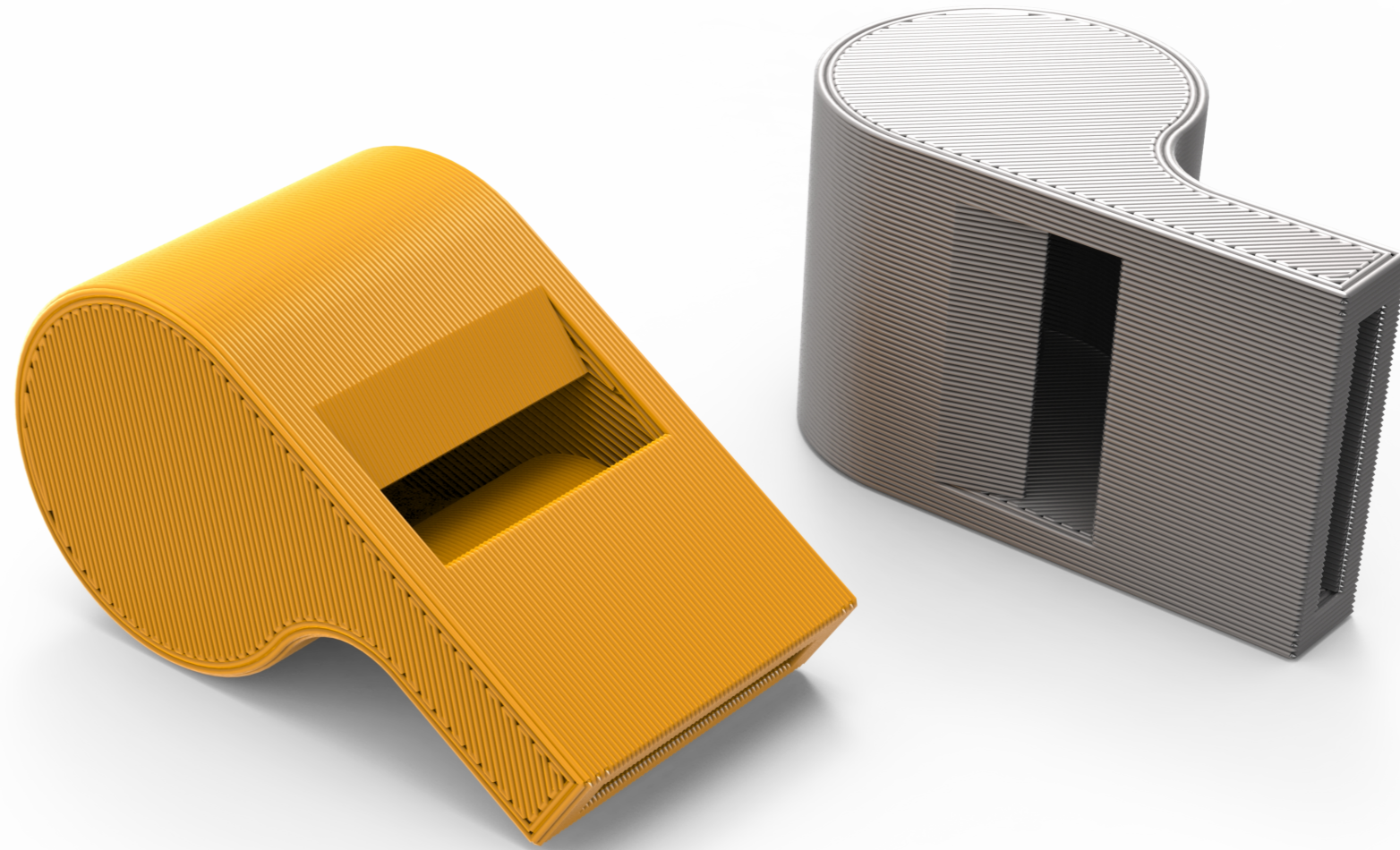


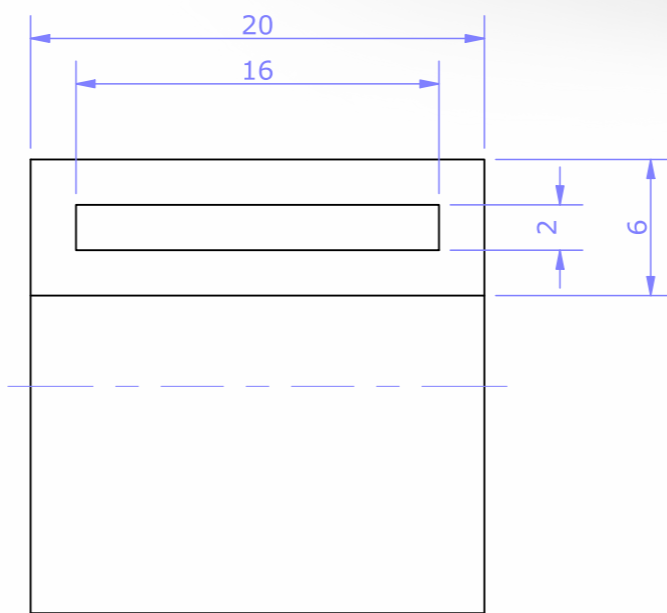
DRAWING TITLE:	WHISTLE
COURSE OR LEVEL:	GRAPHIC COMMUNICATION
CHALLENGE VERSION :	V1_0520
SCALE:	NTS
NOTES:	CAN YOU 3D PRINT THIS? WHAT HAPPENS WHEN PRINTED AT DIFFERENT SCALES?



PLAN



SECTION A-A



END ELEVATION