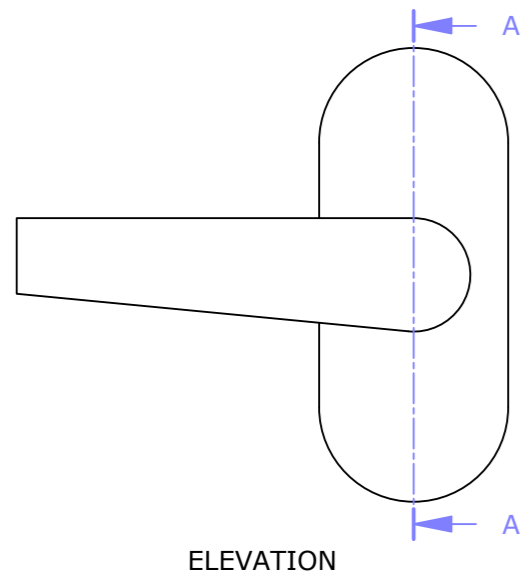
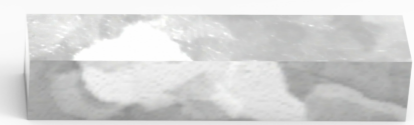
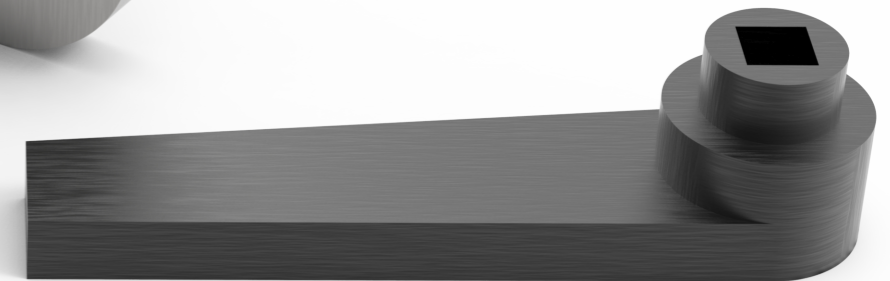
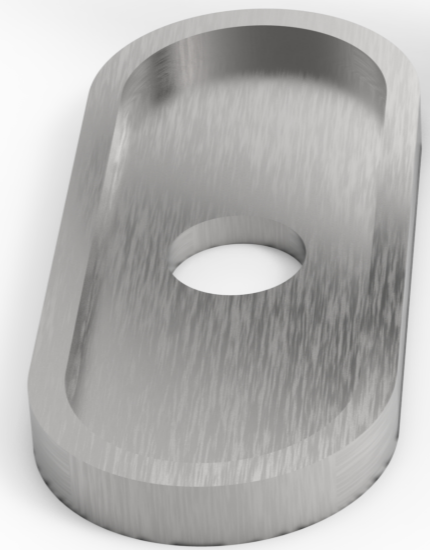
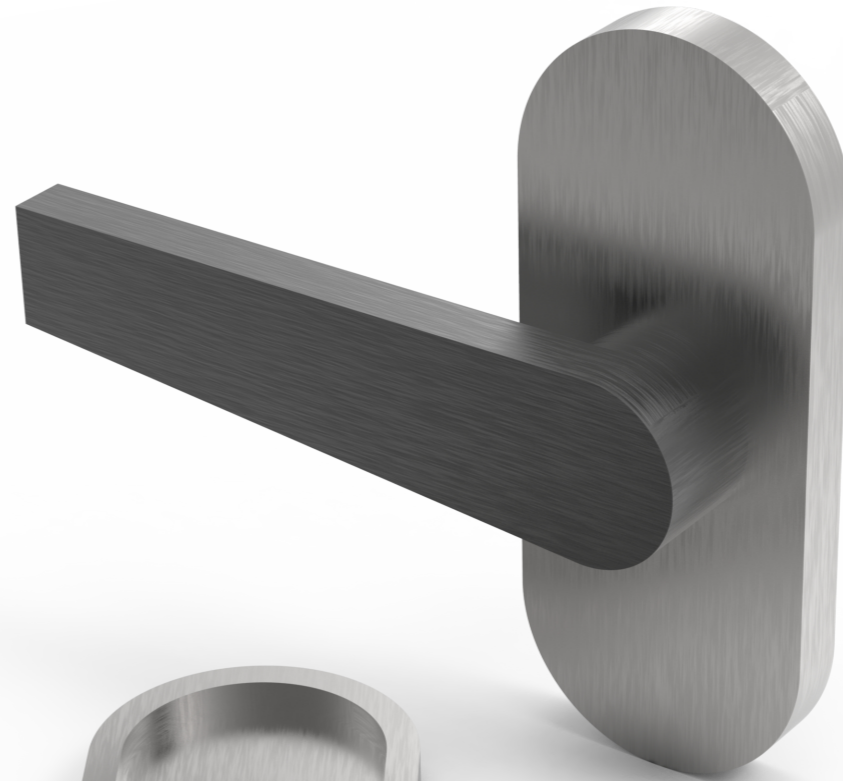
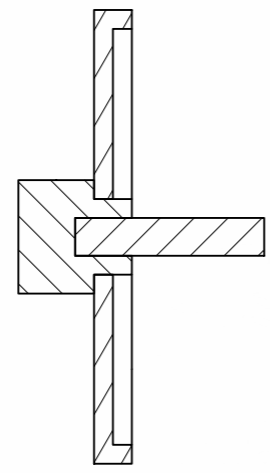


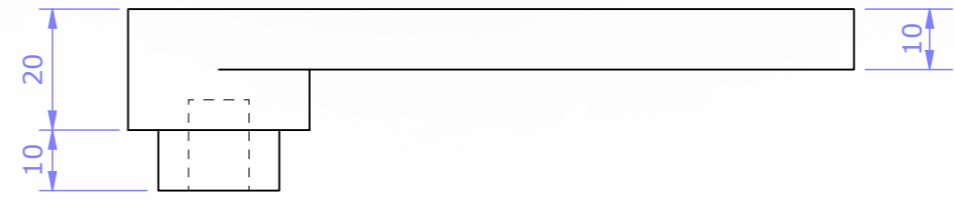
DRAWING TITLE:	DOOR HANDLE
COURSE OR LEVEL:	GRAPHIC COMMUNICATION
CHALLENGE VERSION:	V1_0520
SCALE:	NTS
NOTES:	CAN YOU MAKE THESE THREE PARTS FIT? CAN YOU CONSTRAIN IT CORRECTLY?



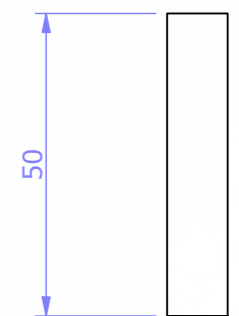
ELEVATION



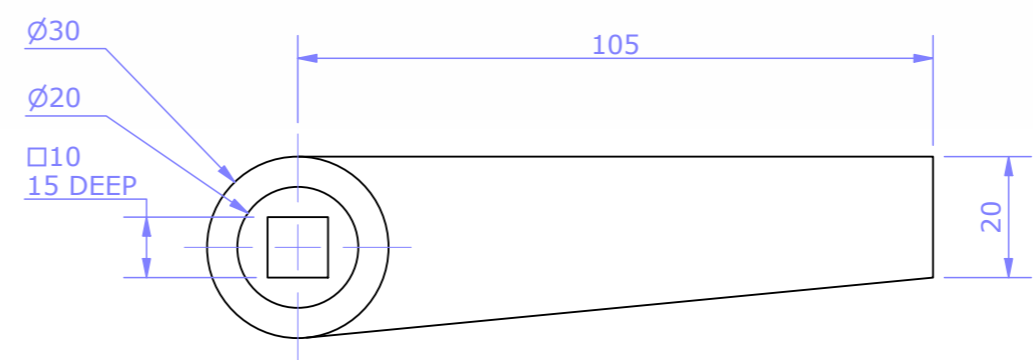
SECTION A-A



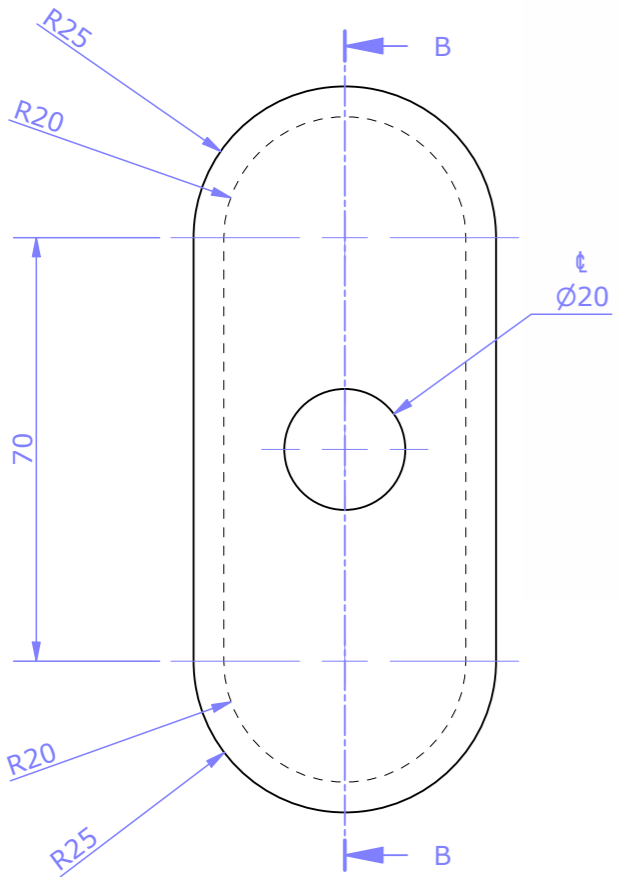
PLAN



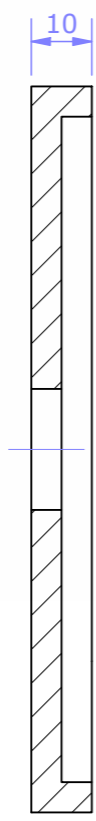
PLAN



ELEVATION



ELEVATION



SECTION B-B



ELEVATION