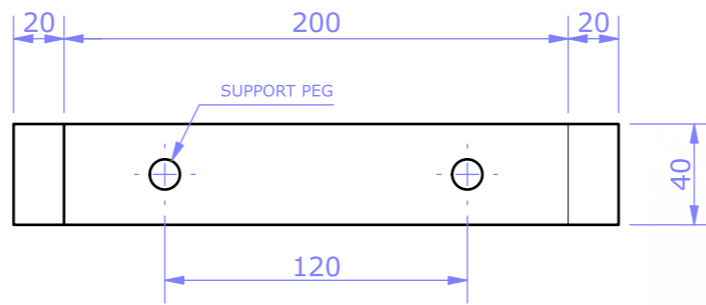
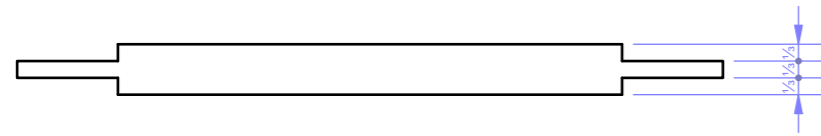


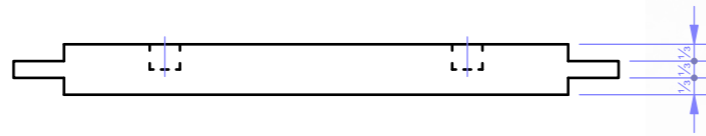
PLAN



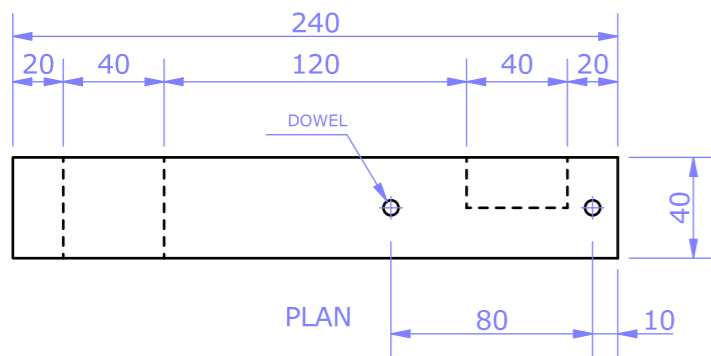
PLAN



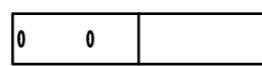
ELEVATION



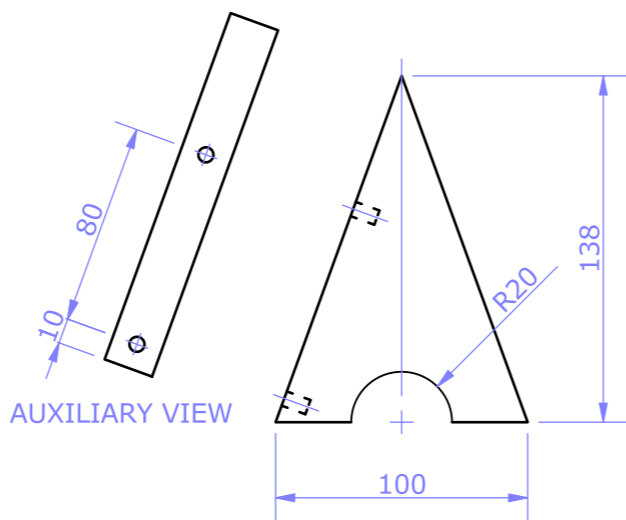
ELEVATION



PLAN

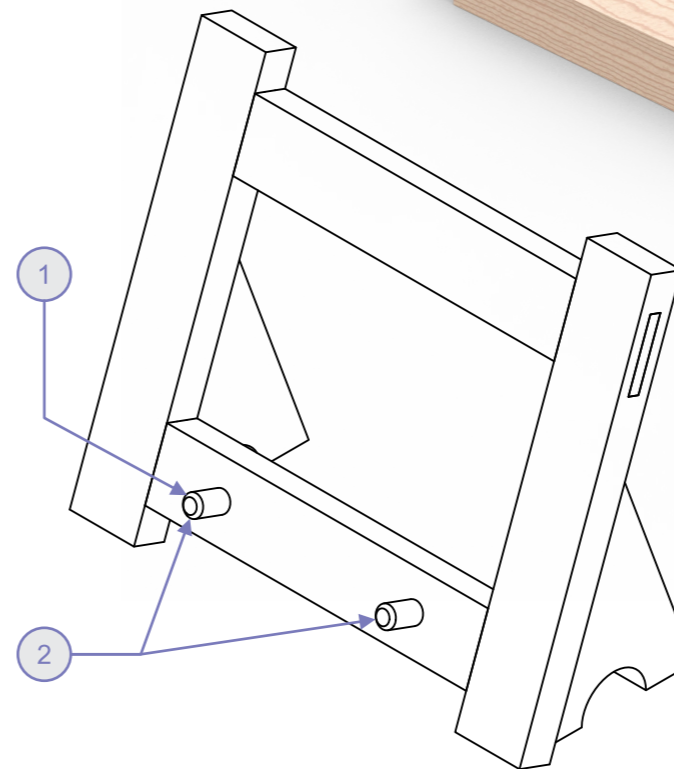


PLAN



AUXILIARY VIEW

ELEVATION



ISOMETRIC | FRONT | NOT TO SCALE



FLAG NOTES

1. SUPPORT PEGS | STOCK COMPONENT, GLUED INTO BLIND HOLES. CAN BE METAL, WOOD OR PLASTIC
2. DISTANCE BETWEEN SUPPORT PEGS DEPENDENT UPON DEVICE TO BE HELD. LENGTH DEPENDS UPON DEVICE.
3. LEFT AND RIGHT VERSIONS OF COMPONENT PART REQUIRED.

PROJECT TITLE BLOCK

Project name:	Tablet stand
Drawing name:	Component drawings
Course:	Practical Woodwork
Scale:	Not to scale
All units are in MM If in doubt, ask!	