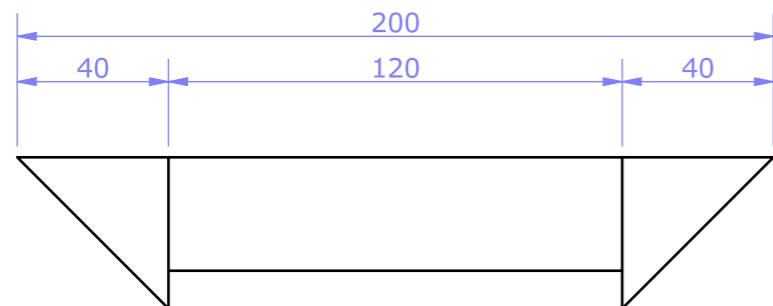
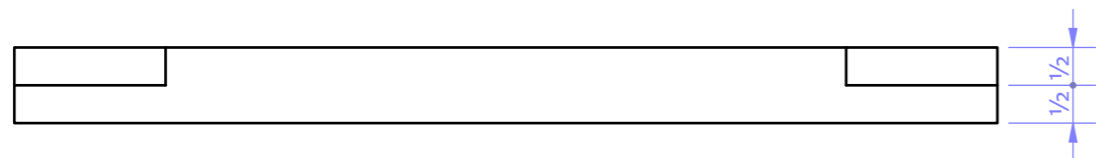
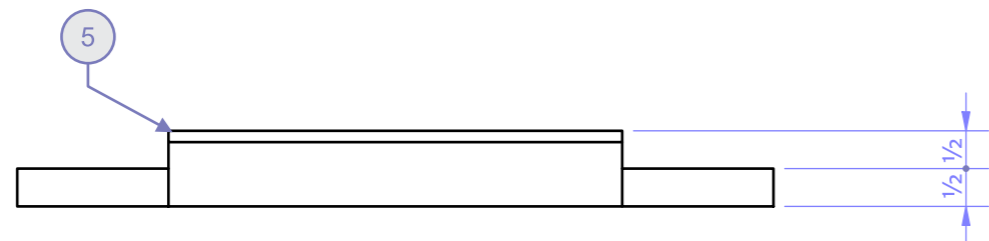


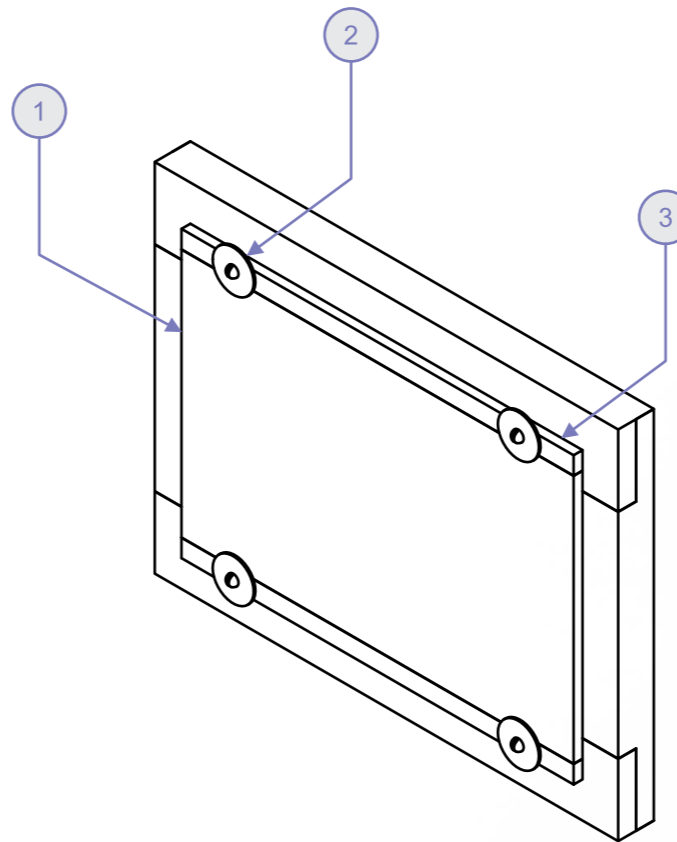
ELEVATION



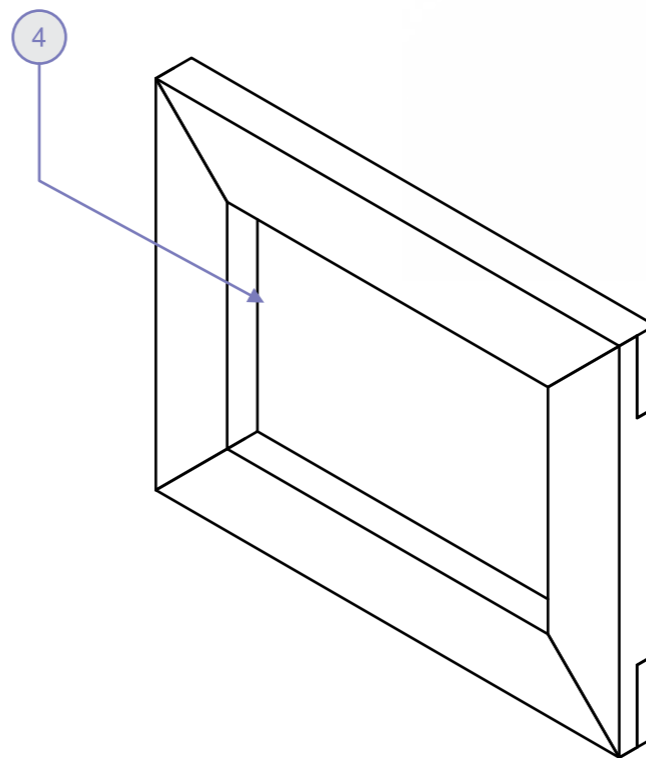
PLAN



ELEVATION



ISOMETRIC | REAR | NOT TO SCALE



ISOMETRIC | FRONT | NOT TO SCALE



FLAG NOTES

1. MANUFACTURED BOARD HOLDS PHOTO AND SCREEN IN FRAME.
2. SCREWS AND WASHERS TO HOLD MANUFACTURED BOARD.
3. SUPPORTING STRIPS OF SAME MANUFACTURED BOARD THICKNESS. GLUE AND PIN.
4. GLASS OR ACRYLIC SCREEN
5. REBATE PLANE LIP FOR SCREEN. SET DEPTH STOP TO SCREEN THICKNESS

PROJECT TITLE BLOCK

Project name:	Picture frame
Drawing name:	Component drawings
Course:	Practical Woodwork
Scale:	Not to scale
All units are in MM If in doubt, ask!	