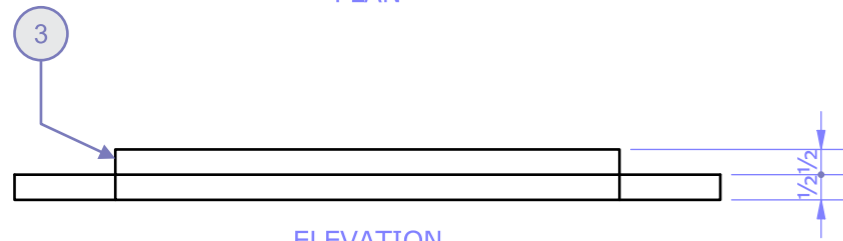
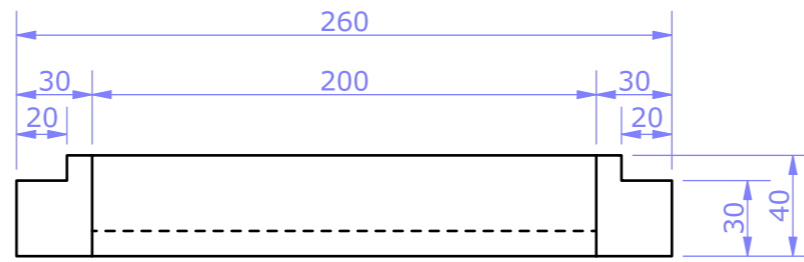


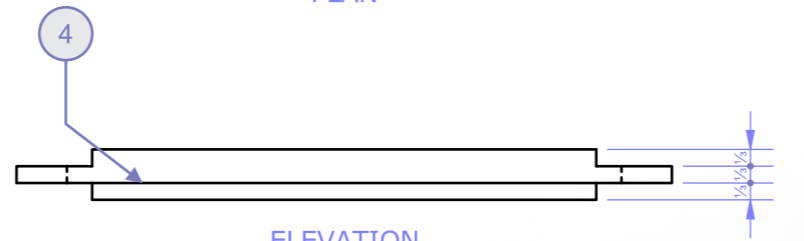
PLAN



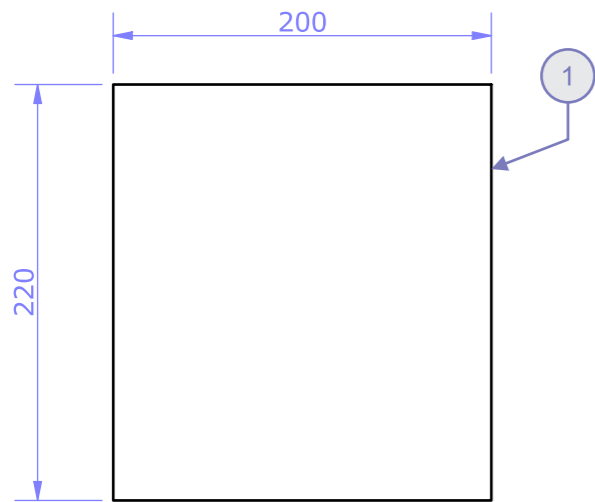
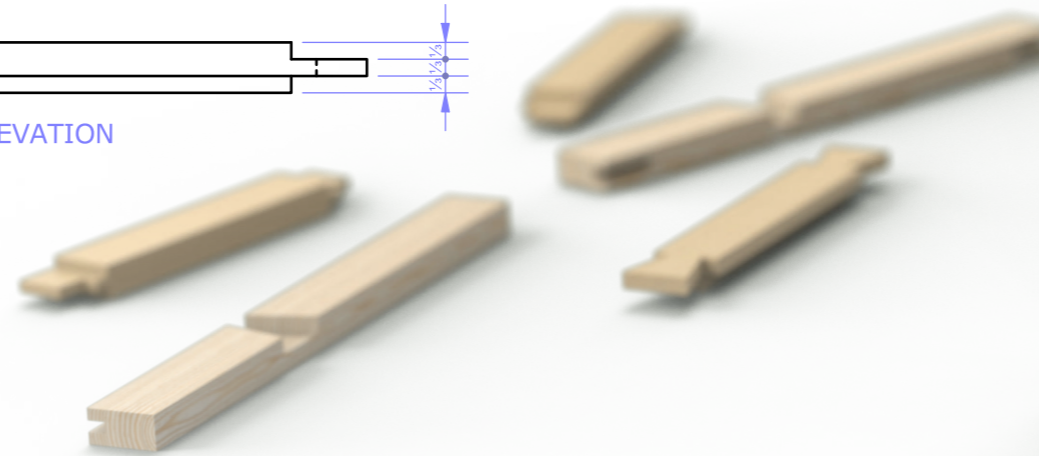
ELEVATION



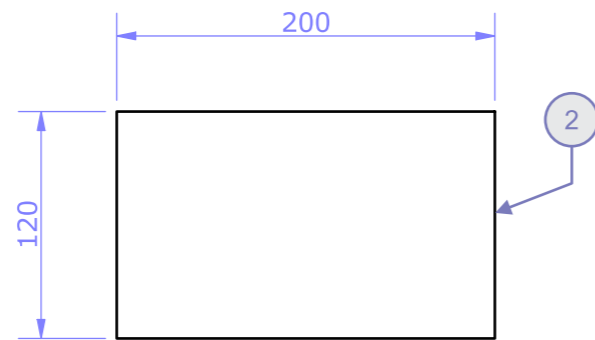
PLAN



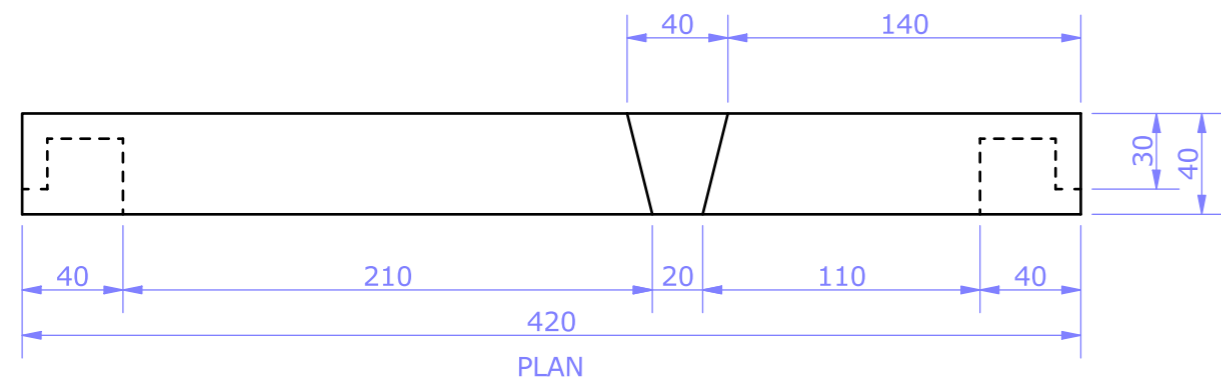
ELEVATION



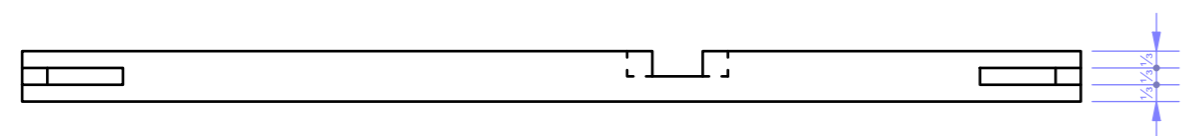
ELEVATION



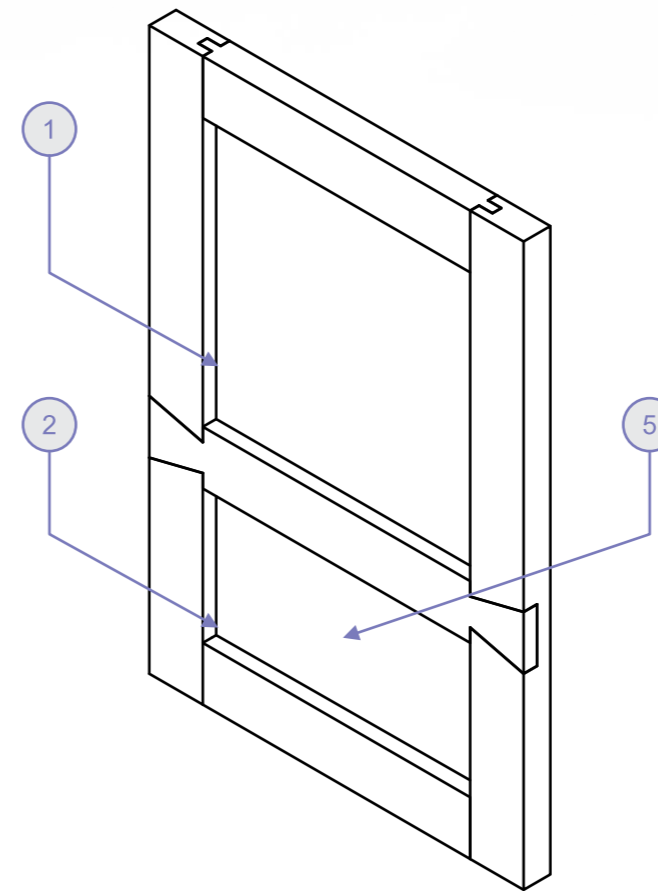
ELEVATION



PLAN



ELEVATION



ISOMETRIC | FRONT | NOT TO SCALE

### FLAG NOTES

1. MANUFACTURED BOARD PAINTED WITH CHALK PAINT OR DRY-WIPE DIBOND PANEL.
2. PANEL FOR KEY HOOKS. BIRCH PLY OR SIMILAR.
3. REBATE PLANE FOR PANEL. DEPTH DETERMINED BY PANEL.
4. REBATE PLANE FOR PANEL. DEPTH DETERMINED BY PANEL.
5. STANDARD COMPONENT HOOKS.

### PROJECT TITLE BLOCK

Project name:	Memo board frame
Drawing name:	Component drawings
Course:	Practical Woodwork
Scale:	Not to scale
All units are in MM If in doubt, ask!	