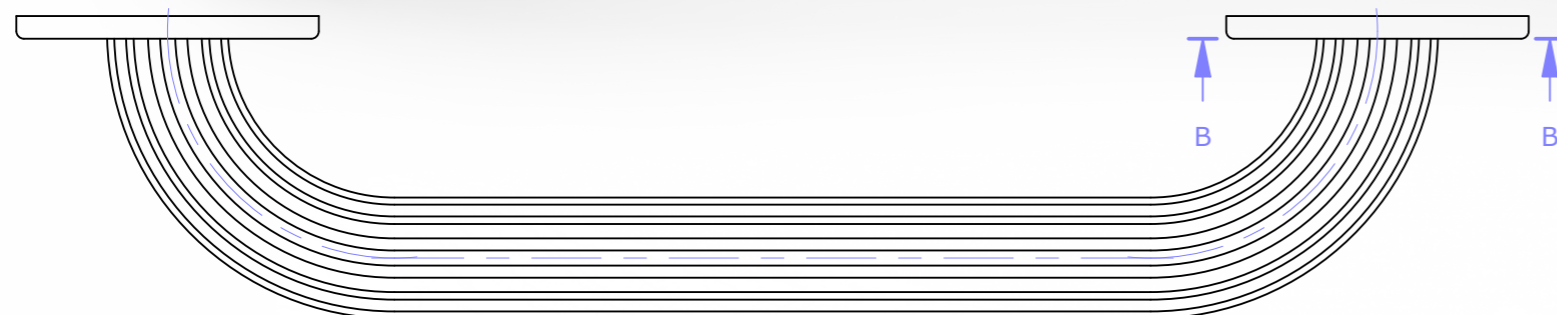
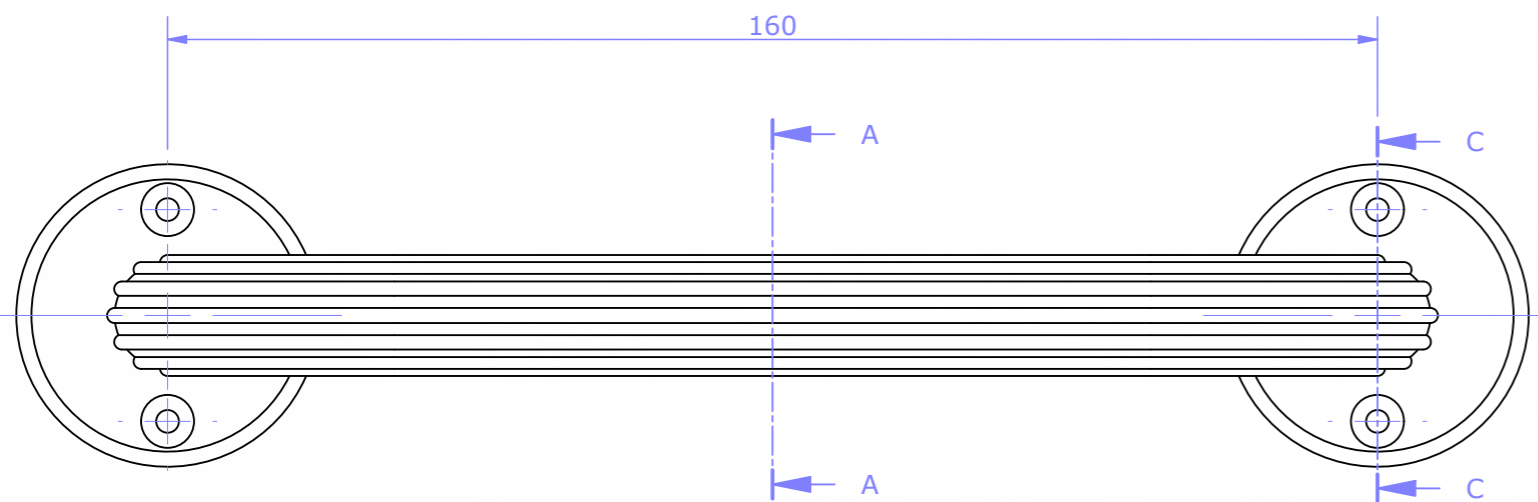


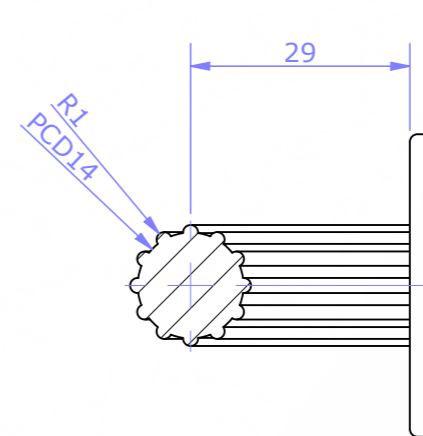
DRAWING TITLE:	HANDLE
COURSE OR LEVEL:	GRAPHIC COMMUNICATION
CHALLENGE VERSION :	V1_0520
SCALE:	NTS
NOTES:	HOW FAR DOES THE HANDLE STICK OUT? CAN YOU DO ONLY HALF THE WORK REQUIRED?



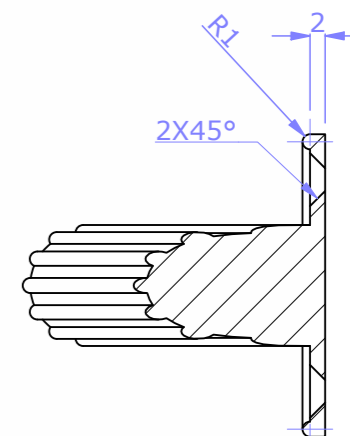
PLAN



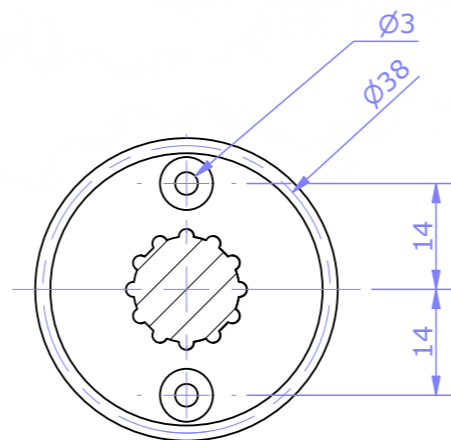
ELEVATION



SECTION A-A



SECTION C-C



SECTION B-B