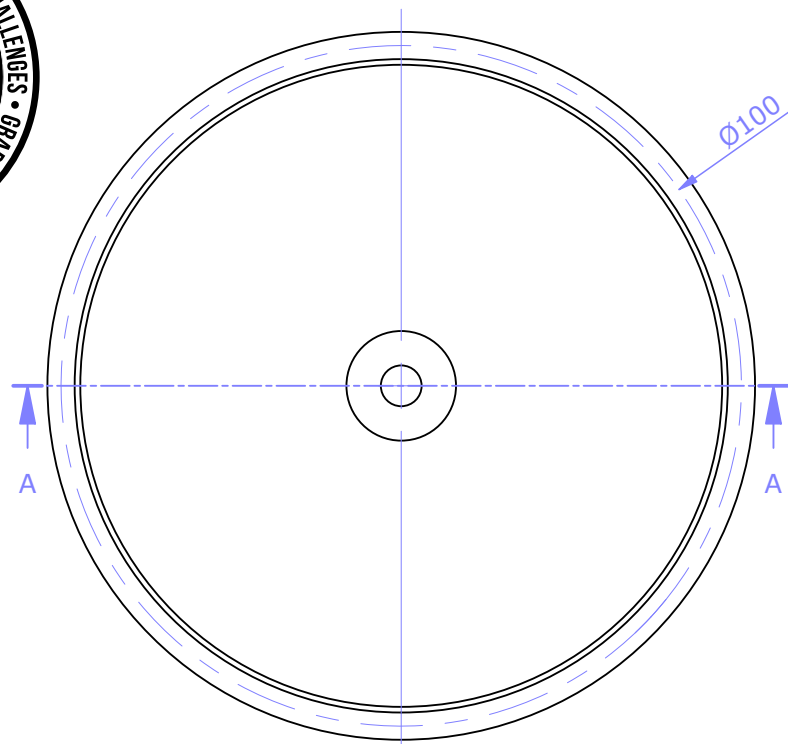
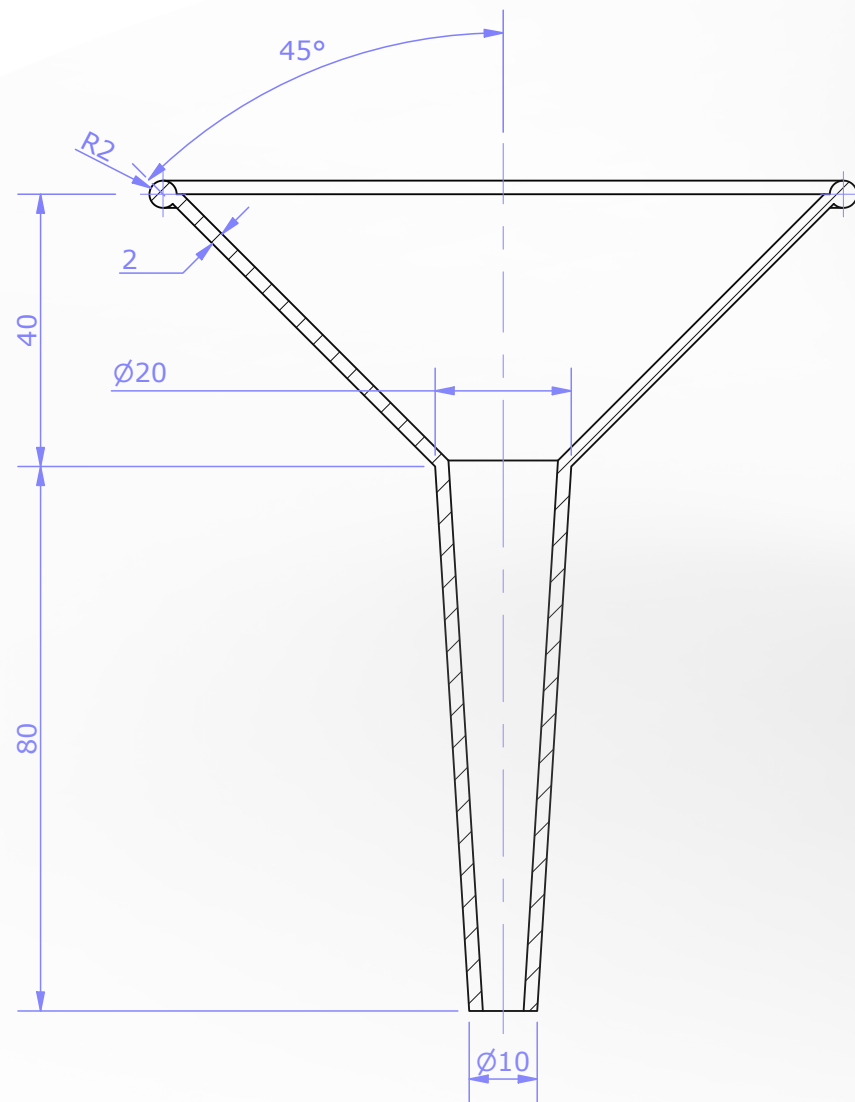


DRAWING TITLE:	FUNNEL
COURSE OR LEVEL:	GRAPHIC COMMUNICATION
CHALLENGE VERSION :	V1_0520
SCALE:	NTS
NOTES:	ONE SKETCH, ONE FEATURE IS ALL THAT IS REQUIRED...



PLAN



SECTION A-A

