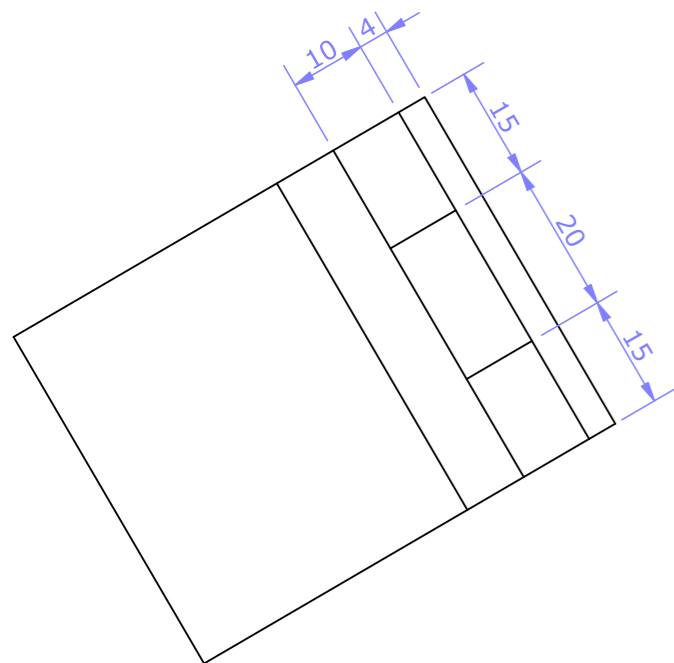
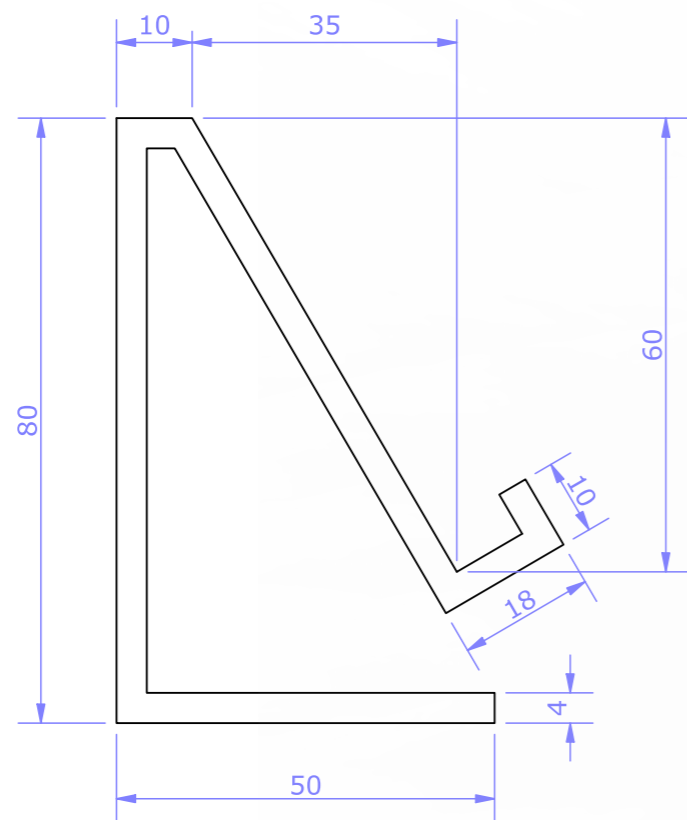


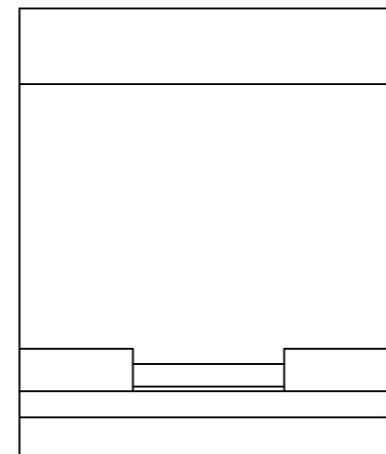
DRAWING TITLE:	PHONE STAND
COURSE OR LEVEL:	GRAPHIC COMMUNICATION
CHALLENGE VERSION :	V1_0520
SCALE:	NTS
NOTES:	YOU CAN PERSONALISE THIS DESIGN. DO YOU UNDERSTAND AUXILIARY VIEWS?



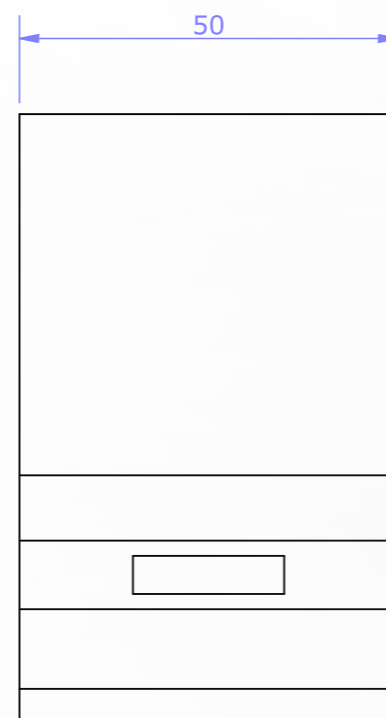
AUXILIARY A-A



END ELEVATION



PLAN



ELEVATION

